



SUPERB CAMP STOVE

R-4027

Effective Date July, 2001

Model Number
CS-200W
(9,000 Btu per Burner)

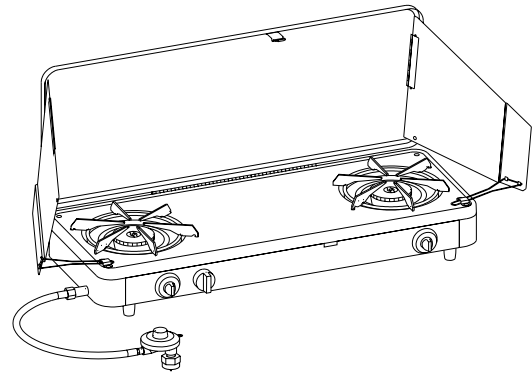
WARNING

If not assembled, operated and maintained in accordance with the manufacturers instructions, this product could expose you to property damage, personal injury or loss of life from fire, explosion or asphyxiation.

Read all warnings below.

WARNING

1. This is an outdoor cooking appliance only. Use only outdoors.
2. Do not leave appliance unattended while in use or hot. Never move cooker while in use or hot.
3. A fire can occur from overheated oil or grease.
4. Oil may heat faster than expected.
5. Use a thermometer to monitor oil temperature.
6. Do not use appliance on or near combustible surfaces, wood decks, storage sheds, garages, shrubbery, trees, houses, etc...
7. Do not cover the pot when heating oil or grease.
8. Should grease fire occur, turn off the gas and cover the pot with the lid.
9. Check every fitting for gas leaks before each use.
10. Never stand over burner while lighting; this could result in serious injury. Carefully follow lighting instructions.
11. This cooker is equipped to operate on propane (LP) gas only from a refillable cylinder certified by DOT (Department of Transportation).
12. Keep children and pets at a safe distance.
13. Never place empty containers over an open flame.
14. Do not attempt to change valve depth into burner or reassemble parts.
15. Never store propane tank in an enclosed area. If cooker is stored in doors after use, disconnect the propane tank for outdoor storage.
16. The regulator and hose assembly provided with this cooker must be used, no substitutions. Other regulators or no regulator used at all could result in dangerous gas leakage and improper burner performance.
17. Never install or remove the propane tank while cooker is in use or too hot to touch.
18. Always inspect hose kit before each use. Protect hose from cuts, heat or abrasions. Never use a hose that indicates signs of cracking or damage.
19. Never allow hose to contact any part of the cooker while in use or still hot. Place propane tank from cooker so that the hose length will not be in the way. Keep all connections and fittings clean, replace any damaged parts.
20. Never store the propane tank near high heat, open flames, direct sunlight or where high temperature exist.
21. Never use a flame to check for gas leaks. A gas detector fluid or soapy dishwashing solution may be applied on the fittings. If bubbles appear, indicating a gas leak, turn off gas supply and retighten fittings.
22. Under no circumstances should any alterations or repairs be made to the burners, valve and controls.
23. A teflon tape or paste must be used on pipe threads before making the hose connection.

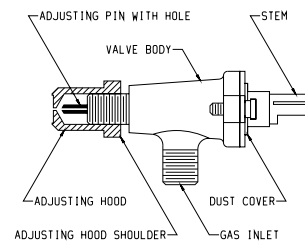


This camp stove is equipped with a hose and regulator to accommodate a disposable propane cylinder. To connect to a larger propane cylinder use Part Number, SHK-4 hose kit.

To Ignite Burner

Your camp stove is equipped with an electronic ignition to light the burners.

Attach brass fitting on hose to the pipe outlet on stove using teflon tape or paste on pipe threads. Tighten securely with wrench. Make sure that control valves on the stove are in the OFF position. Screw the liquid propane disposable cylinder (not included) into the outlet on regulator. Hand tighten securely. Open control valve on regulator. This activates the fuel into the cylinder. Open control knob on one gas valve (valve is push to turn). Immediately turn piezo ignition clockwise to deliver spark to burner. The second burner is lit in the same manner. It may take several sparks for burner to ignite. The flame pattern on the burner is controlled by the regulator valve and control knob on the stove. If the stove is wet, the ignitor may not spark. A fireplace match or a long nose lighter can be used to ignite burner. Never let gas build up in burner. If burner does not light, turn off control knob immediately.

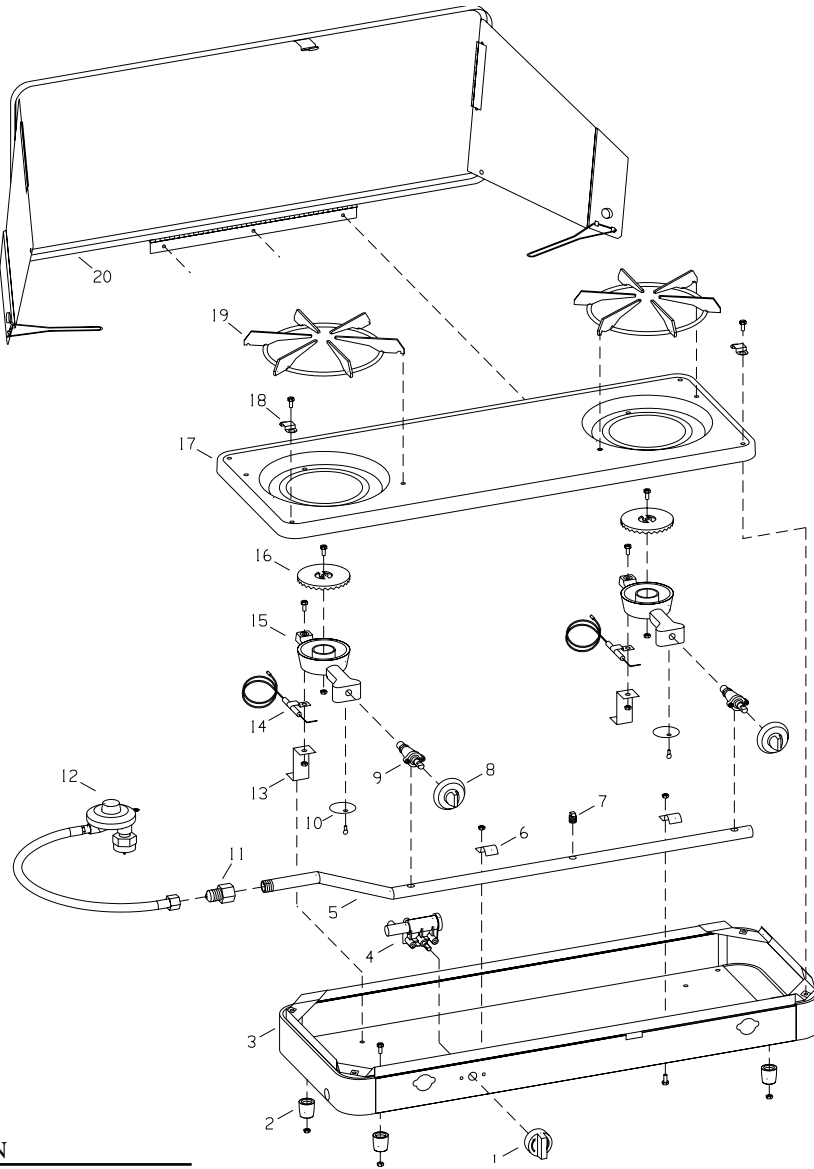


To Clean

The porcelain enameled grates can be removed by pulling upward on grate. The main top can be removed by unscrewing the four corner screws. Clean frequently to avoid grease accumulation and possible grease fires.

To Store

Remove propane cylinder from regulator and replace plastic cap on the cylinder. Store camp stove in a covered bag or container to avoid the accumulation of dust, cobwebs, etc.



INDEX NO.	PART NO.	DESCRIPTION
01	R-3441	KNOB (FOR PIEZO)
02	R-3350	PLASTIC FOOT (4 REQUIRED)
03	SP-108	BODY ASSEMBLY
04	R-3440	ROTARY PIEZO IGNITOR
05	P-221	MANIFOLD
06	SP-034	MANIFOLD CLAMP (2 REQUIRED)
07	R-4029	PIPE PLUG 1/8 N.P.T.
08	R-3439	KNOB (2 REQUIRED)
09	R-3445	GAS VALVE (2 REQUIRED)
10	SP-054	AIR SHUTTER (2 REQUIRED)
11	R-4030	FLARE FITTING
12	R-4677	REGULATOR WITH HOSE
13	SP-028	BURNER BRACKET (2 REQUIRED)
14	R-4028	ELECTRODE AND WIRE ASSEMBLY 18" (2 REQUIRED)
15	R-3340	BURNER (2 REQUIRED)
16	R-3341	BURNER CAP (2 REQUIRED)
17	SP-110	TOP
18	SP-005	LATCH BRACKET (2 REQUIRED)
19	R-3339	GRATE (2 REQUIRED)
20	SP-112	WINDSCREEN ASSEMBLY

Warranty

Empire Comfort Systems, Inc. makes no claim of fitness of this product for a particular purpose or use and assumes no liability for damages resulting from the use of the product. Liability of the manufacturer in any event is limited to the amount of the original purchase price of this product. This warranty applies only to the use of the product in accordance with the manufacturer's operating instructions, and remains in force only so long as the product remains in its original configuration. This warranty does not apply to products that have been altered or repaired by outside agents, abused, damaged through neglect, misuse, or accident, or to products that have been used in any way other than in accordance with manufacturer's operating instructions.